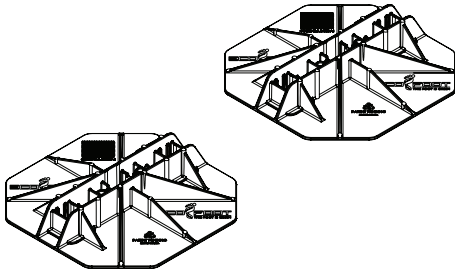


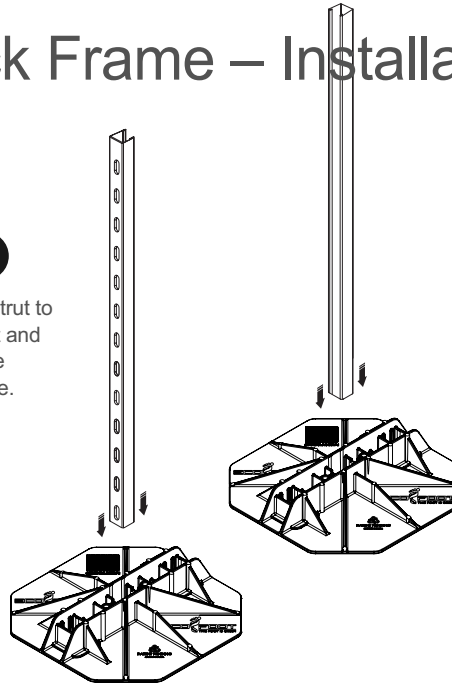


# Quick Frame – Installation Instructions

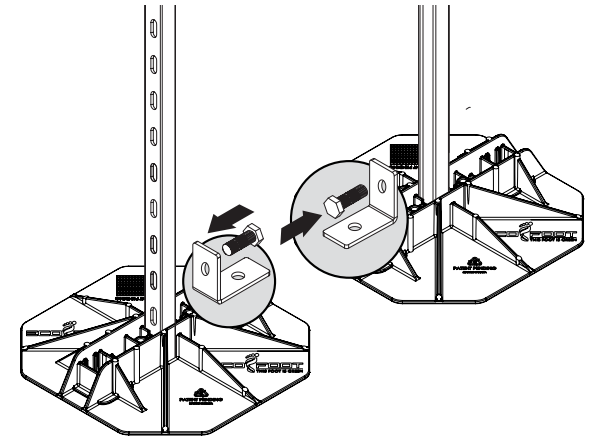
**STEP 1** Place EcoFoot base and antivibration mats on surface. Ensure that all loose gravel and impediments are removed from roof surface.



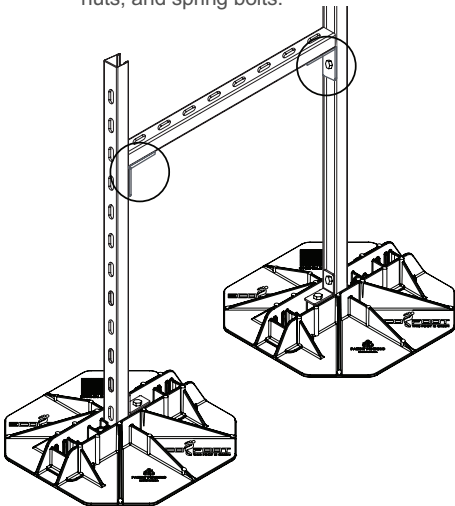
**STEP 2** Cut vertical strut to desired height and insert into the EcoFoot base.



**STEP 3** Secure strut with provided 90° brackets, nuts, and spring bolts on the inner sides of the frame.



**STEP 4** Cut horizontal strut to desired length. Secure strut with provided 90° brackets, nuts, and spring bolts.



**STEP 5** Ensure all bolts are tight for safe and secure support.

